

A TARDIS with SOUND and LIGHT SHOW

We've seen dozens of Tardis kits. From full-sized units that double as garden sheds, right down to DIY mouldings that go onto a key chain. There are models made from ply-wood, balsa, wood plastics and a few made from cardboard off-cuts.

Most of the smaller units stop at just the model stage. Imagine your model Tardis with its blue flashing light on the roof and other flashing lights inside. What if the Tardis made the familiar the roaring sounds you hear when it prepares to take off into other realms of time and space.

Now, can add sound and light to your Tardis without spending a fortune and without leaving home. Or, if you've not yet built your Tardis, we've got plans for an easy to assemble one that you will fill the gap.

A few simple modifications to some standard parts off our website www.kitstop.com.au will get you going.



The first of these is our FK109 - a Two LED Flasher Kit

This simple kit has two outputs. Normally Red and Green. First up, we'll substitute some high brightness RED and Green. They will light up the inside of our Tardis. Then we'll add a bright blue LED in parallel with the red LED circuit and that will sit on top of the Tardis

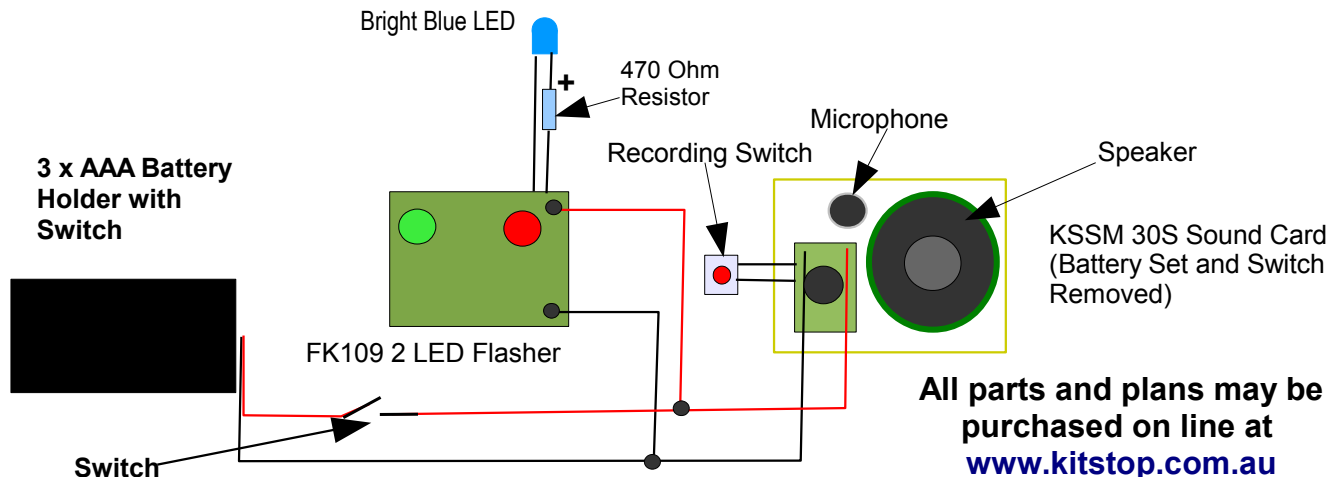
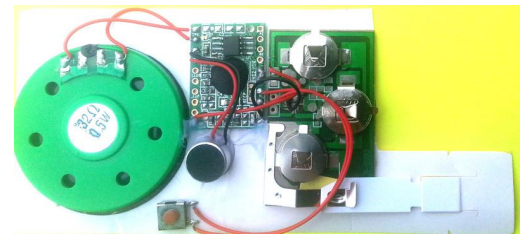


The second item is our KSSM-30S Sound Recorder/Playback Module

Here is a low cost pre - assembled module that has it's own microphone.

Normally, the KSSM-30S is used in DIY greeting cards where you add your own message or music to a home made card. However, in this project we are going to record the Tardis sounds, using the microphone, from one of the many sources available on the internet and play them back inside the Tardis

Both the lights and the sounds are driven by a 4.5 supply which is triggered by a switch which can be anything from a micro-switch, a tact switch or any other switch that can be held closed while the light and sound show is on



All parts and plans may be purchased on line at www.kitstop.com.au Or call us at 0432 507 755



KitStop Retail Systems

Perrin Wright and Associates (ABN 86 481 210 935)
 PO Box 5422 Clayton Victoria 3168 Australia
 Unit 1 45 Madeleine Road, Clayton, Victoria 3168 Australia
www.kitstop.com.au email mail@kitstop.com.au

Phone + 61 3 9545 6608

Mobile 0432 502 755